

# USER MANUAL

## PIRANHA SPREADERS



Keep this manual for future reference.

## WARNING

Read, understand and follow all instructions and warnings before using or attempting to assemble Piranha Spreader.



## CONTENTS

Important Safety Instructions  
Parts and Hardware Identification  
Assembly Instructions  
Care and Maintenance

# PIRANHA DETATCHERS USER MANUAL



## FEATURES FOR SAFE OPERATION

**Remember:** These safety instructions and warnings are not intended to cover every possible situation. They are intended as a general guide. As with any product, common sense and vigilance must be employed in its use and assembly.

### **Always exercise caution when using equipment.**

- 1.** Read this entire instruction manual carefully before attempting to use or assemble this spreader.
- 2.** Read the towing vehicle owner's manual and towing vehicle safety rules. Know how to Operate your tractor before using the tow-behind spreader.
- 3.** Read the chemical label instructions and cautions for handling and applying the chemicals purchased for spreading
- 4.** Always begin with the transmission in first (low) gear and with the engine at low speed, and Gradually increase speed as conditions permit.
- 5.** Do not load the hopper with more than 85 lbs.
- 6.** Do not allow children to play in or around the spreader.
- 7.** Do not load items over the hopper. Lower hopper when loading objects.
- 8.** If any part becomes damaged, broken or misplaced, do no use the spreader until a replacement part is obtained.
- 9.** When towing the spreader do not drive too close to a creek or ditch and be aware of holes And other hazards which could cause you to lose control of the spreader and tractor.
- 10.** Do not operate on or roll over objects that could cause damage to the pneumatic tires or tubes.
- 11.** Do not inflate the tires more than 40 psi.
- 12.** Use only a hand-held air pump to inflate tires.
- 13.** Wear hand and eye protection when handling and applying lawn or garden chemicals.
- 14.** Do not allow anyone to operate the spreader without proper instructions
- 15.** Before operating a vehicle on any slope or hill refer to the safety rules in the vehicle owner's Manual concerning safe operation on slopes. Stay off steep slopes!
- 16.** Do not use with Rock Salt. Using Rock salt in the spreader will damage the mechanism. Save these instructions for future reference.

# PIRANHA DETATCHERS USER MANUAL



## PREPARATION

**ESTIMATED ASSEMBLY TIME:** APPROXIMATELY 45 MINUTES.

REMOVE ALL PARTS AND HARDWARE FROM THE CARTON. COMPARE THE PARTS AND QUANTITIES WITH THE PARTS AND HARDWARE LIST. IF ANY PART IS MISSING CONTACT CUSTOMER SERVICE FOR REPLACEMENT.

### **TOOLS REQUIRED FOR ASSEMBLY:**

- ADJUSTABLE WRENCH OR 7/16 IN. SOCKET
- FLAT HEAD SCREWDRIVER
- PLIERS

**IMPORTANT NOTE:** TWO ADULTS MAY BE REQUIRED FOR ASSEMBLY.

## CARE AND MAINTENANCE

CHECK TIRE PRESSURE REGULARLY. INFLATE IF NECESSARY. DO NOT OVER INFLATE. CHECK BOLTS PERIODICALLY TO ENSURE THEY ARE SECURE. DO NOT OVER TIGHTEN BOLTS.

COVER OR STORE OUT OF WEATHER WHEN NOT IN USE.

ALWAYS CLEAN THE SPREADER AFTER USE TO PREVENT CORROSION OF PARTS

## USING SPREADER

PRECISION SPREADERS ARE DESIGNED TO SPREAD DRY, POWDERED OR GRANULATED MATERIALS THINLY AND EVENLY OVER ANY REASONABLY SMOOTH SURFACE.

### **PROCEED AS FOLLOWS:**

- 1.** MAKE CERTAIN THAT THE MATERIAL IS DRY AND "FREE RUNNING". IF IN DOUBT SIEVE WITH A 3MM (1/8) MESH TO REMOVE LUMPS.
- 2.** SET RATE-SETTING DIAL TO NO.2.
- 3.** FILL THE HOPPER  $\frac{3}{4}$  FULL.
- 4.** PUSH THE SPREADER FORWARD AND OPEN THE FEED GATE (SLIDE LEVER TOWARDS HOPPER). IF SPREAD IS UNEVEN OR INADEQUATE PULL THE LEVER AND SET MICRO-DIAL TO A HIGHER NUMBER. REPEAT UNTIL SATISFACTORY DISTRIBUTION IS OBTAINED.
- 5.** ALWAYS MOVE OFF BEFORE OPENING THE FEED-GATE. ALWAYS CLOSE THE FEED-GATE BEFORE STOPPING.

# PIRANHA DETATCHERS USER MANUAL



## **GUARANTEE**

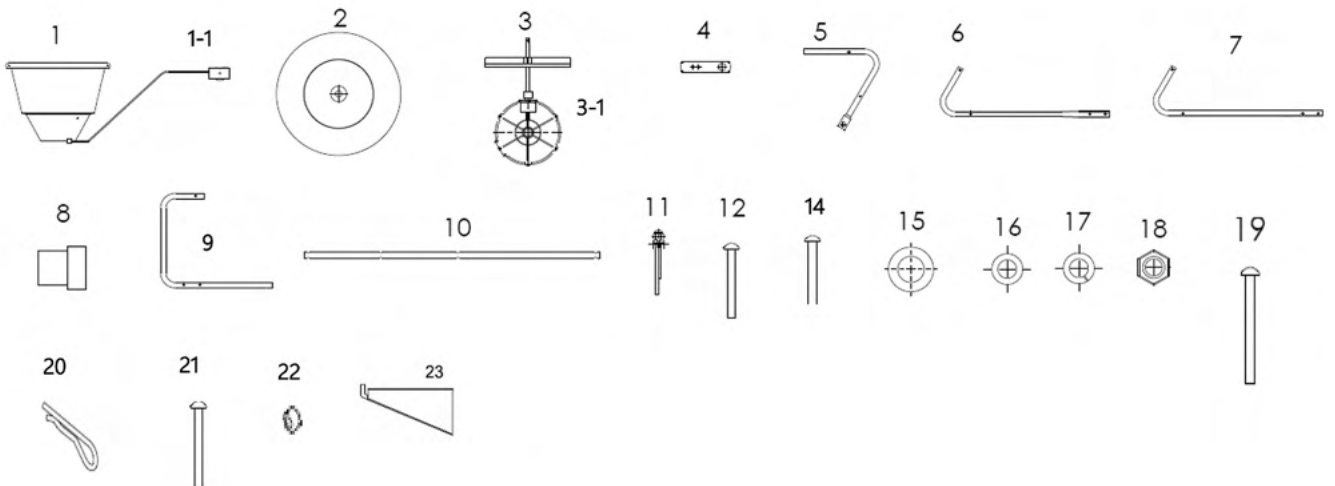
This product is guaranteed for a period of 12 months. This warranty only covers domestic use, not commercial application. This cover is only applicable when the product genuinely fails. Any fault that is caused by misuse, abuse or use that contravenes the instructions or where the product has been modified or altered will not be covered.

# PIRANHA SPREADERS USER MANUAL



## PARTS AND HARDWARE LIST

PART NO	DESCRIPTION	QUANTITY
1	HOPPER	1
1-1	CONTROL CABLE	1
2	WHEEL	2
3	SPINNER DISC	1
3-1	GEAR CASE ASSEMBLY	1
4	STEERING LINK CONNECTOR	2
5	BACK HOPPER SUPPORT	2
6	RIGHT HOPPER SUPPORT	1
7	LEFT HOPPER SUPPORT	1
8	SPLIT BUSHING	2
9	FRONT BRACKET	1
10	AXLE	1
11	COTTER PIN	1
12	SCREW M6X35	1
14	SCREW M6X50	5
15	LARGE FLAT WASHER	1
16	SMALL FLAT WASHER	15
17	LOCK WASHER	2
18	HEX NUT M6	14
19	SCREW M6X55	1
20	RELEASE PIN	1
21	SCREW M6X40	8
22	CABLE LOCK NUT	1
23	SLOT	1



# PIRANHA SPREADERS USER MANUAL



## ASSEMBLY INSTRUCTIONS

### STEP 1: Gear Case and Axle Assembly

Part No.	Description	Qty.
3-1	Gear Case Assembly	1
10	Axle	1
12	Screw M6x35	1
16	Small flat washer	1
18	Hex nut M6	1

Slide axle (10) through gear case assembly (3-1) and secure using screw M6x35 (12), small flat washer (16) and hex nut (18). (Figure 1)

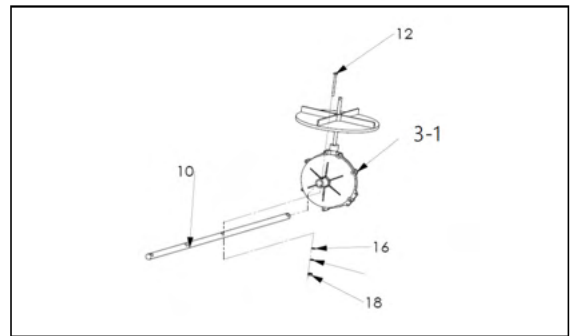
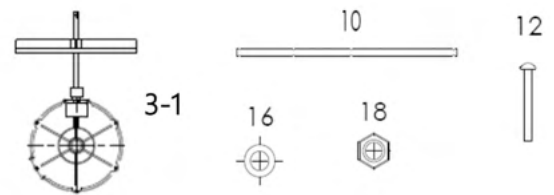


FIGURE 1

### STEP 2: Axle and Frame Assembly

Part No.	Description	Qty.
5	Back Hopper Support	2
6	Right Hopper Support	1
7	Left Hopper Support	1
14	Screw M6x50	4
16	Small Flat Washer	4
18	Hex Nut M6	4

Attach back hopper supports (5) to right hopper support (6) and left hopper support (7) using screw M6x50 (14), small flat washer (16) and hex nut (18) as shown. Then slide back hopper support (5) onto axle (10). (Note: Split bushing (8) is factory installed on the back hopper supports.) (Figure 2)

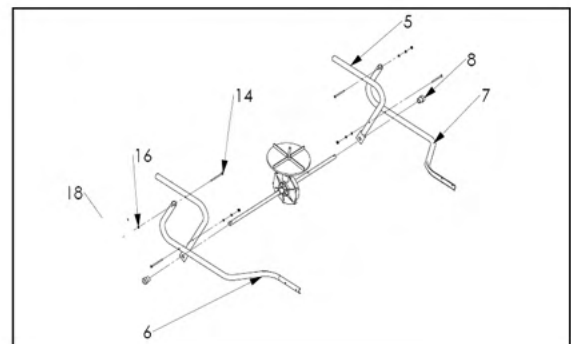
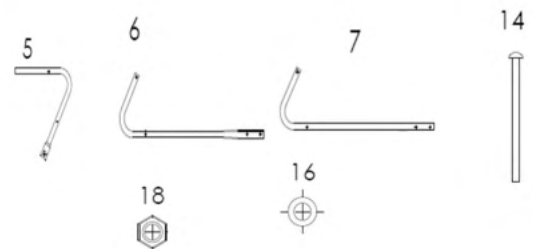


FIGURE 2

# PIRANHA SPREADERS USER MANUAL



## ASSEMBLY INSTRUCTIONS

### STEP 3:

Part No.	Description	Qty.
9	Front Bracket	1
21	Screw M6x40	2
16	Small Flat Washer	2
18	Hex Nut M6	2

Attach front bracket (9) to right hopper support (6) and left hopper support (7) using screw M6x40 (21), small flat washer (16), and hex nut M6 (18). (Figure 3)

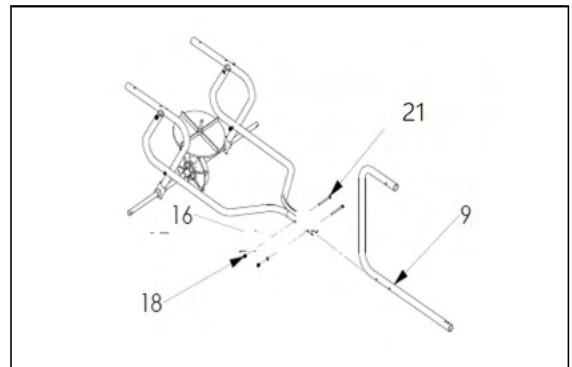


FIGURE 3

### STEP 4:

Part No.	Description	Qty.
2	Wheel	2
15	Large Flat Washer	1
11	Cotter Pin	1
14	Screw M6x50	1
16	Small Flat Washer	1
18	Hex Nut M6	1

Slide a wheel (2) over left side of axle (10), followed by a large flat washer (15). Insert cotter pin (11). Place other wheel (2) on the right side of the axle (10) and secure using screw M6x50 (14), small flat washer (16) and hex nut (18). (Figure 4)

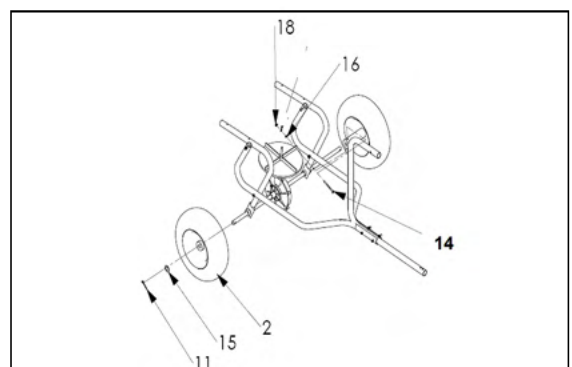
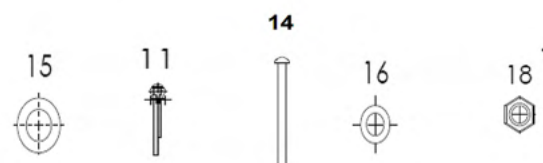


FIGURE 4

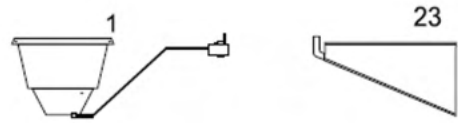
# PIRANHA SPREADERS USER MANUAL



## ASSEMBLY INSTRUCTIONS

### STEP 4.1:

Part No.	Description	Qty.
1	Tray	1
23	Slot	1



Turn the tray (1) upside down, slide slot (23) into the lead channel on the bottom of tray completely. (Figure 4.1)

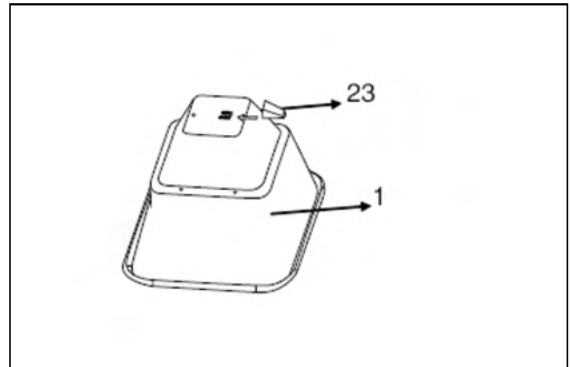
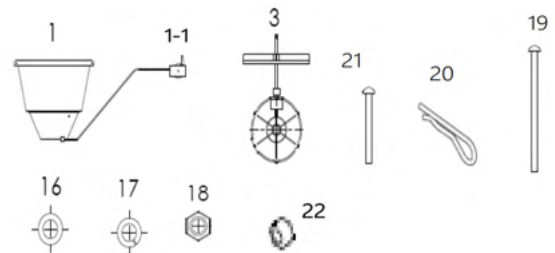


FIGURE 4.1

### STEP 5:

Part No.	Description	Qty.
1	Hopper	1
21	Screw M6x40	4
16	Small Flat Washer	5
18	Hex Nut M6	5
3	Spinner Disc	1
20	Release Pin	1
19	Screw M6x55	1
17	Lock Washer	2



Attach hopper (1) to supports(5,6,7) using screw M6x40 (21), small flat washer (16) and hex nut (18). Attach hopper to spinner disc (3) using release pin (20).

Attach the control cable (1-1) to front bracket (9) with screw M6x55 (19), small flat washer (16), lock washer(17) and cable lock nut (22). (Note: Control cable (1-1) is factory installed onto hopper) (Figure 5)

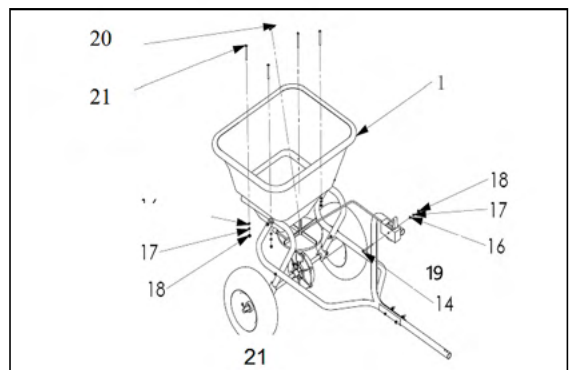


FIGURE 5



# PIRANHA SPREADERS USER MANUAL



## ASSEMBLY INSTRUCTIONS

### STEP 6:

Part No.	Description	Qty.
4	Steering Link Connector	2
21	Screw M6x40	2
16	Small Flat Washer	2
18	Hex Nut M6	2

Attach steering link connector (4) to front bracket (9) using screw M6x40 (21), small flat washer (16) and hex nut (18). (Figure 6)

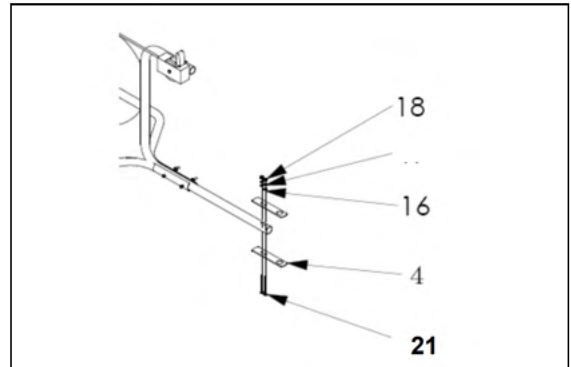
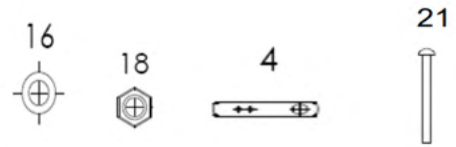


FIGURE 6

**STORE YOUR SPREADER COVERED OR INDOORS  
TO PREVENT CORROSION AND DETERIORATION OF PLASTIC.**



**PIRANHA**

 [piranhapowerequipment.com](http://piranhapowerequipment.com)



 Browse now on [www.mower.ie](http://www.mower.ie)